

Max. Flow Rate: 2,060 GPH (7,800 LPH)

- Separ 2000 series water separators fuel filters are a simple solution to many different fuel related problems.
- Five separate stages of filtration ensure 99.9% water separation (Certified TUV Report using SAE J1839) at maximum flow.
- Low restriction reduces wear on fuel pumps and ensures full RPMs.
- Backflushable (cleanable) element reduces down time and costly element changes.



Shown: top 2000/130MK-G
bottom 2000/130UMK-G

Inlet / Outlet Connections

Single Unit: 2" NPT Pipe
Duplex Unit: 2" FNPT (other adapters available)
Inlet and Outlet Pipe connection 2" NPT.

Ordering Specifications

SWK-2000/130 U MK MS A - G

Duplex _____

Metal bowl w/ contacts _____

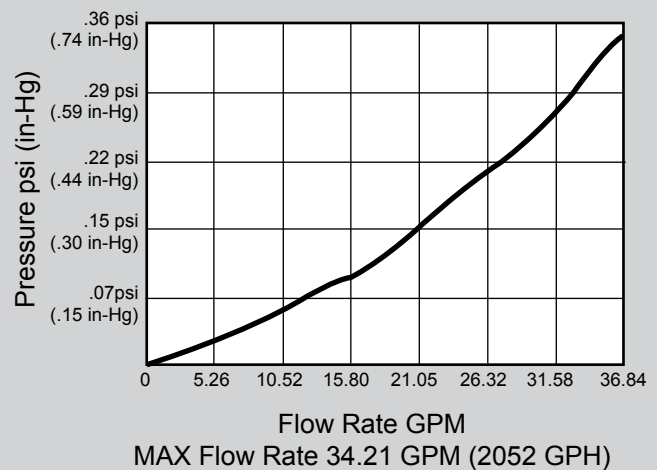
Metal bowl w/ potential-free probe _____
for water level indication

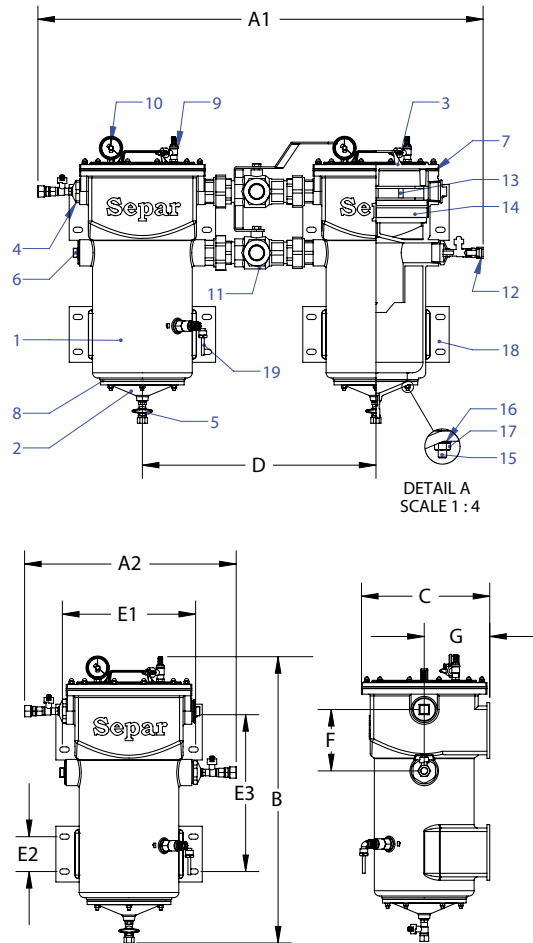
Automatic switchable duplex _____
(See page 18 for details)

Gauge _____

We reserve the right to alter the specification without prior notice.

Pressure Drop





Item	Part #	Description	Dimension	
1	10133	Housing	A1	47.56" (1208mm)
2	10135	Bowl	A2	23.9" (607.4mm)
3	10050	Lid	B	32.34" (821.5mm)
4	10058	2" BSP Fitting	C	14.49" (368mm)
5	30456	Drain Valve	D	26.38" (670mm)
6	10053	2" BSP Plug	E1	15.04" (382mm)
7	30387	Lid Gasket	E2	3.94" (100mm)
8	10136	Bowl Gasket	E3	17.72"(450mm)
9	30366	Bleed Valve	F	6.93" (176mm)
10	30650	Vacuum Gauge	G	7.4" (188mm)
11	10043	Reversing Valve Assembly		
12	10062	Reducing Bushing		
13	30298	Spring Frame		
14		<u>Filter Element</u>		
	01810	10 Micron		
	01830	30 Micron (Standard)		
	01860S	60 Micron (stainless steel)		
15	10072	Stud Screw	Model	Weight
16	30021	Washer	SWK-2000/130MK	105 lbs (47.63 kg)
17	10073	Cap Nut	SWK-2000/130UMK	250 lbs (113.4 kg)
18	10129	Mounting Bracket		
19	30402			